

PRODUCT CODE: PIB25B
PVC CONDUIT INSPECTION BEND

DESCRIPTION

25mm PVC Conduit Inspection Bend

FINISH

Black

MATERIAL

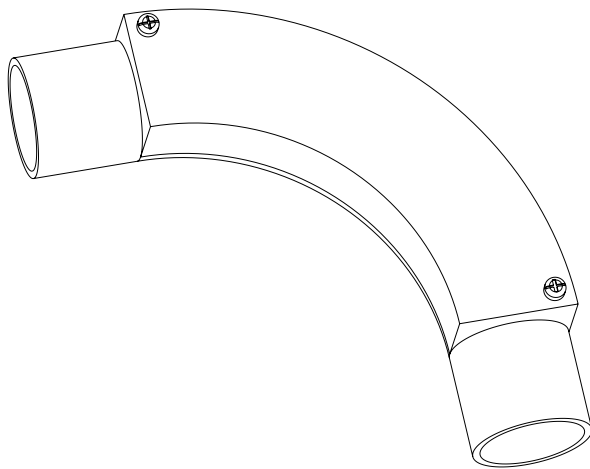
PVC

PACKAGING

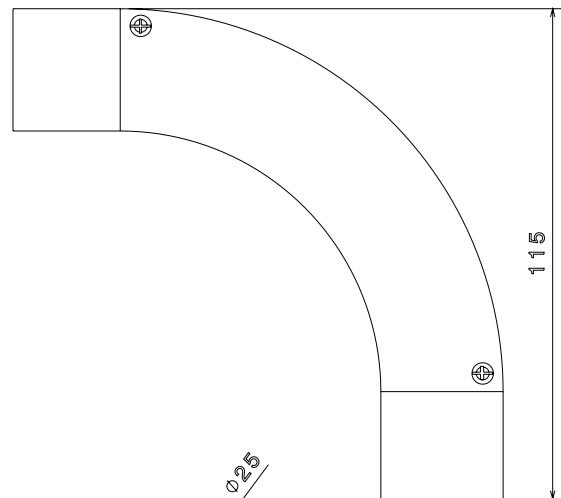
Packed in qty 20

ADDITIONAL NOTES

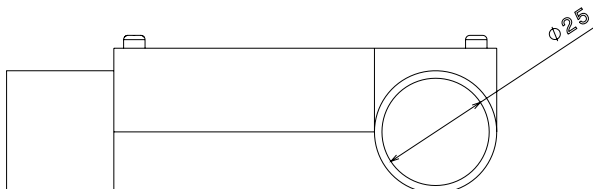
Manufactured to BS4607 part 1



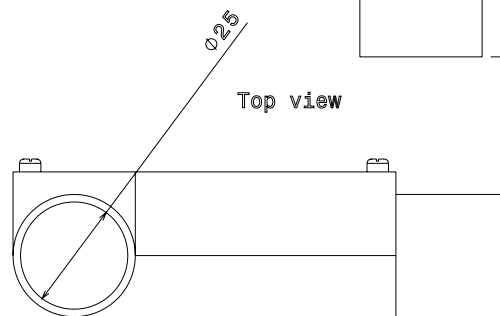
Isometric view



Top view



Front view



Side view